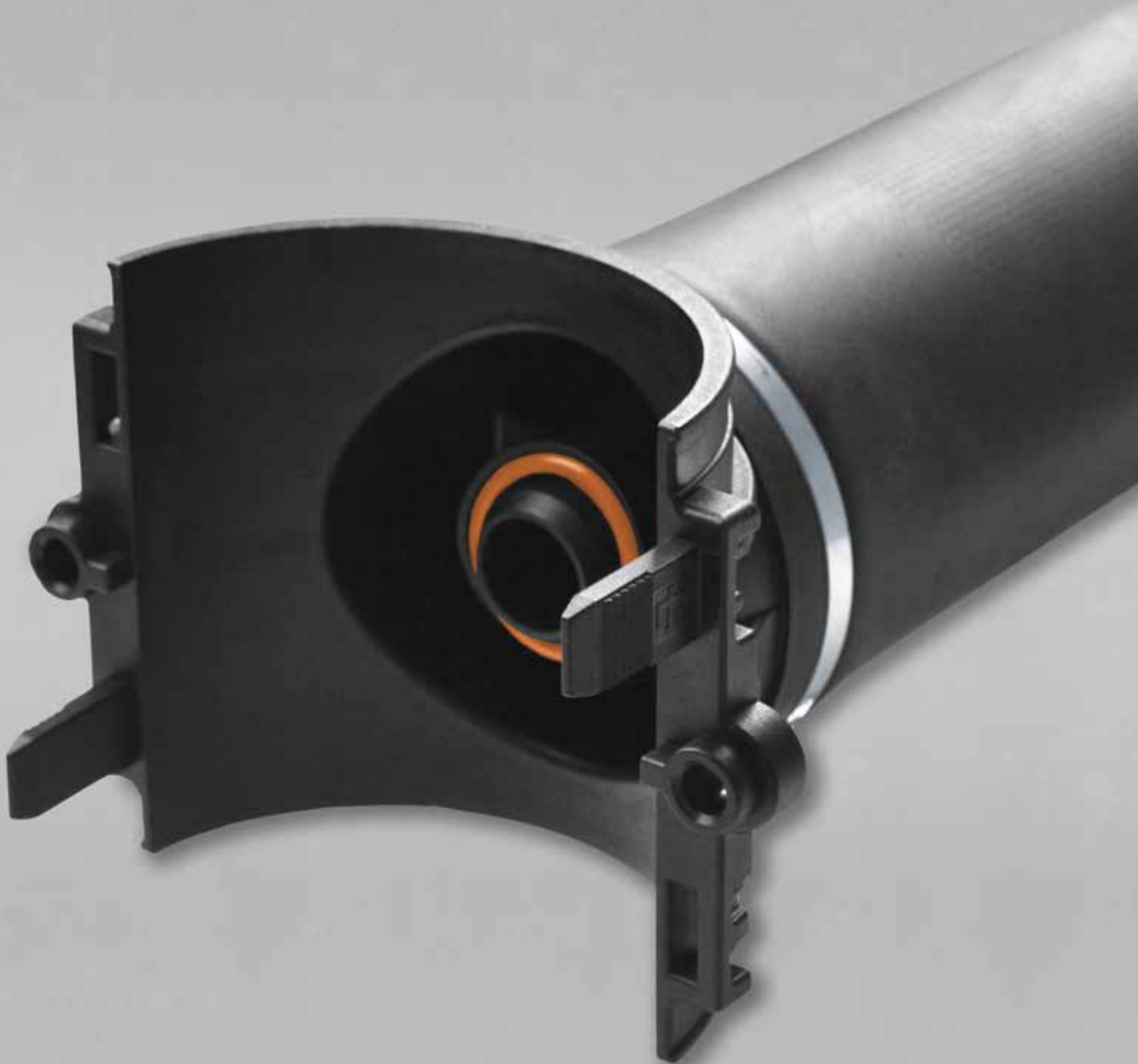


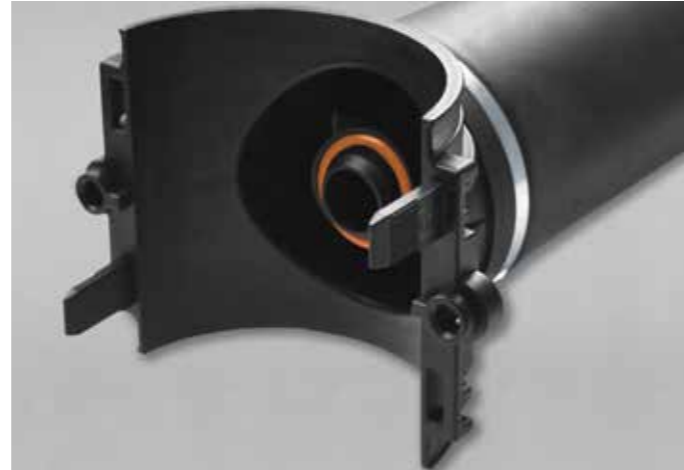
# JetFlex® TD 90-2 Tube Diffuser



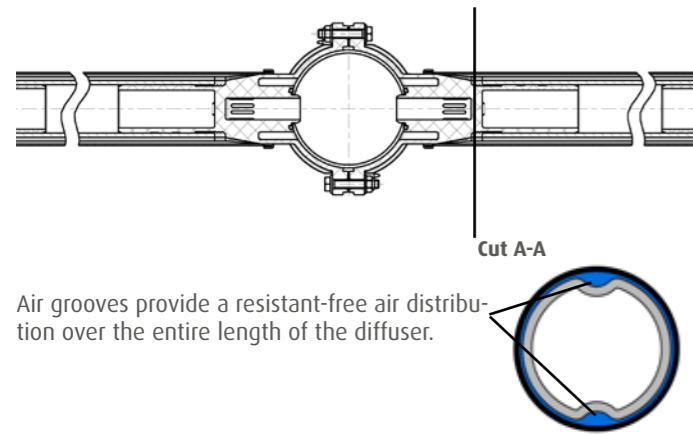


**Dimensions**

Material	Tube diameter	ID-Sleeve	Wall thickness
EPDM	87 mm	~ 90 mm	1.90 ± 0.20 mm
Silicone	87 mm	~ 90 mm	1.50 ± 0.20 mm
PUR	87 mm	~ 90 mm	0.75 ± 0.05 mm

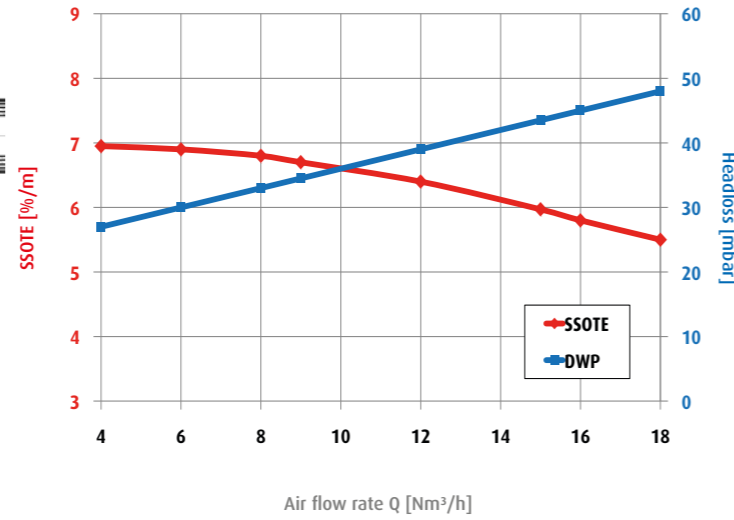


**Installation drawing**



Air grooves provide a resistant-free air distribution over the entire length of the diffuser.

**SSOTE and headloss for EPDM 1000 mm**



Perforation length	Total length	Perforated area	Air flow rate at standard operating conditions	Max. overload / maintenance air flow rate	Operating mode
1000 mm	1195 mm	0.24 m²	4 - 18 Nm³/h	28 Nm³/h	continuous / intermittent
750 mm	945 mm	0.18 m²	3 - 14 Nm³/h	21 Nm³/h	continuous / intermittent
500 mm	695 mm	0.12 m²	2 - 9 Nm³/h	14 Nm³/h	continuous / intermittent

**Dimensions for connection to round pipes**

Outer diameter	Material	Nominal diameter	Drill hole
114.3 mm	SS	100 mm	32 +0.5/-0 mm
110 mm	PVC	100 mm	32 +0.5/-0 mm

Please see our operation manuals for more details.



**Membrane materials**

Material	Techn. standard	EPDM	PUR	Techn. standard	Silicone
Colour		black	transparent		translucent
Plasticiser (%)		35	0		0
Density (g/cm³)	DIN EN ISO 1183-1	1.11	1.13	DIN EN ISO 1183-1	1.16
Tensile strength (N/mm²)	DIN 53504	>7	>45	DIN 53504	>9
Elongation at break (%)	DIN 53504	>400	>450	DIN 53504	>900
Tear strength (N/mm)	DIN EN ISO 34-1	>7.5	>35	ASTM D 624 B	>38
Hardness (Shore A)	DIN ISO 7619-1	40 ± 5	80 ± 5	DIN 53505	60 ± 5
Operating air temperature (°C)		5 - 80	5 - 60		5 - 100
Operating water temperature (°C)		5 - 40	5 - 40		5 - 40

**Other materials**

Support tube	SS clamp	Threaded joints
PP / PP 20% GF	1.4301	1.4301



**Accessories**



L-bracket and end plug

Clamp adapter without thread

Please see our accessories catalogue for more details.



**Jäger Umwelt-Technik GmbH**

Ruscheplattenstraße 14

31137 Hildesheim

Germany

+49 5121 9138 900

+49 5121 9138 999

info@jaeger-envirotech.com

www.jaeger-envirotech.com



**Disclaimer**

We exclude any liability for the information and product presentations provided. Contents of technical character are based on the date of publication. Existing copyrights and rights to the use of names remain unaffected.

